

BWT besttaste

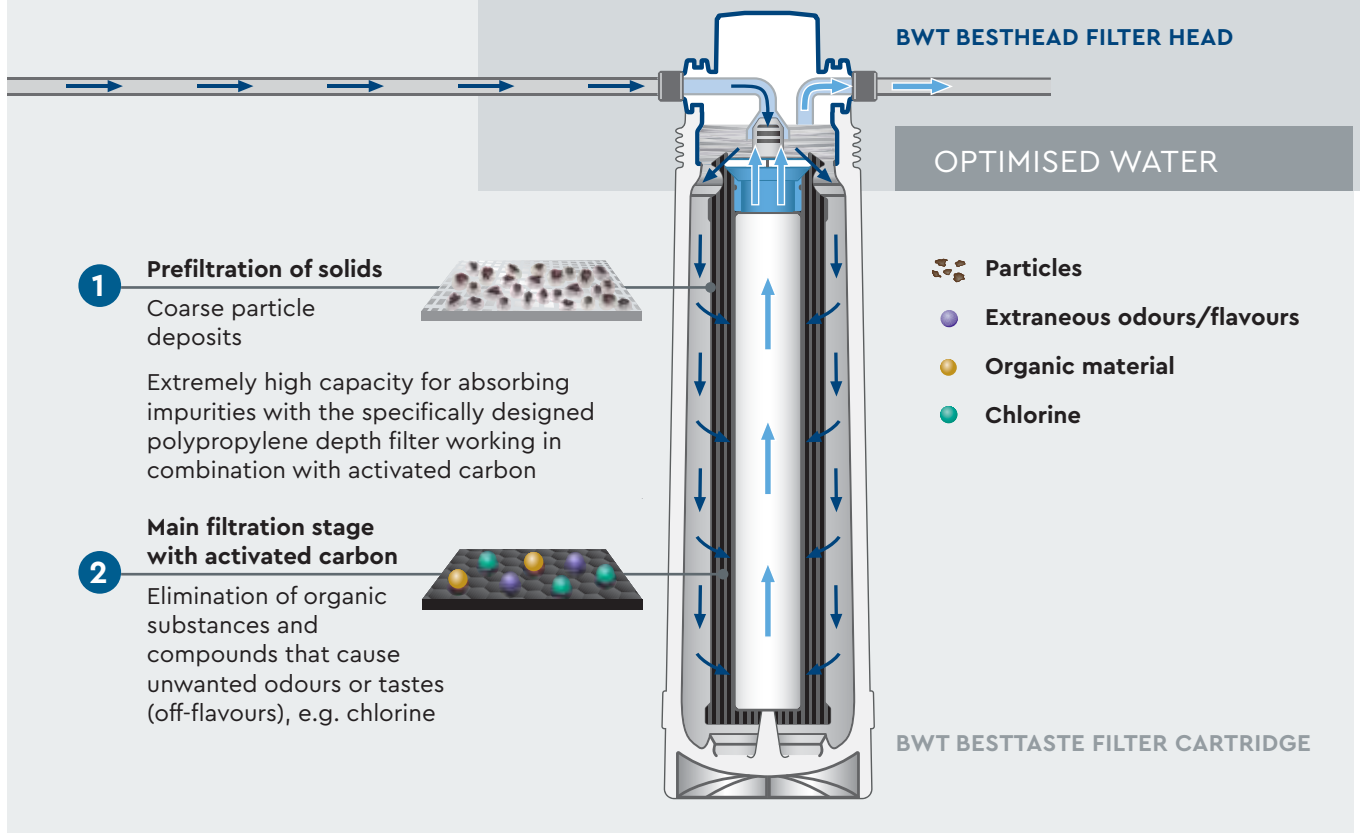
The Combiner



FILTER FOR CLEAR, PLEASANT-TASTING WATER FOR GASTRONOMY AND VENDING

Clear, pleasant-tasting water is essential in the gastronomy and vending sectors. Even if the local mains water contains low levels of calcium or minerals, professionally calibrated water optimisation is both required and essential for filtering out solids and removing any extraneous odours and tastes.

BWT besttaste filter cartridges with integrated prefiltration provide top-quality water for vending and coffee machines and the many other services in the hospitality industry. They are also excellent for prefiltration before the water is processed by BWT bestaqua ROC reverse osmosis systems. Solids and unwanted contaminants and odours are eliminated efficiently, guaranteeing perfect-tasting hot drinks and a high level of protection for all the equipment and appliances in hard water areas.



BWT besttaste

TECHNICAL DATA

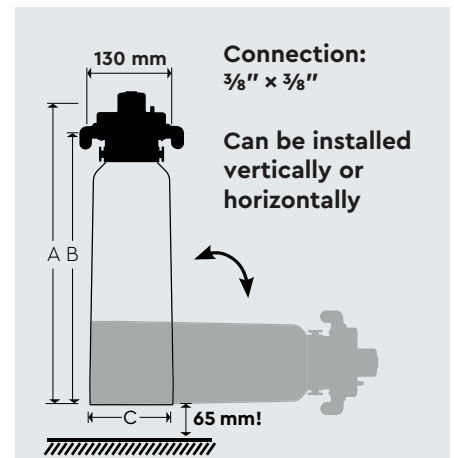
BWT besttaste	10	15	20
Typical capacity in litres	10,000	40,000	60,000
Particle filtration in µm (microns)	1	1	1
Total height in mm (A)	290	370	395
Connection height in mm (B)	226	308	342
Ø Filter cartridge in mm (C)	88	88	105
Approx. weight in kg (dry/wet)	0.5/1.1	0.6/1.5	0.86/1.8
Filter cartridge order No.	125501409	125501410	125252022

Key benefits

- Activated carbon filter system with integrated high-performance prefiltration
- Particularly well suited to mains water containing heavy concentrations of solids and where demand for water is high
- Perfect for optimising water for use in the gastronomy
- Removal of solids, off-flavour substances and chlorine from the mains water
- Can be used with mains water with low carbonate hardness (calcium content)
- Easy to install using universal BWT besthead FLEX connection technology
- High sensory grade of filtrate

Technical data

- Integrated high-performance prefiltration of solids
- High filter capacity
- High-quality activated carbon
- Activated carbon polypropylene fleece for consistently crystal-clear water
- Reduces the heavy metal content
- Quick and easy filter replacement
- Can be installed vertically or horizontally



OPERATING CONDITIONS

Inlet pressure: 2 – 8 bar
 Water temperature: 4 – 30 °C
 Ambient temperature: 4 – 40 °C



ACCESSORIES

Description	Order No.
BWT besthead FLEX filter head BWT besthead FLEX with 2 x 90° elbow connectors, FLEX Insert M 3/8" made from GRP	FS00Z20A00
BWT besthead FLEX set 1 BWT besthead FLEX with 2 x 90° elbow connectors, FLEX Insert M 3/8" made from GRP, connection hose DN8, 1.5m, with ball valve, FLEX Insert 90° elbow made from 90% GRP, cap nut FM 3/8", straight connector, FLEX Insert x M 3/8" made from GRP, reduction FM 3/4" x M 3/8" made from GRP	FS00Z39A00

MANUFACTURER: SALES:

BWT Holding GmbH:
 Walter-Simmer-Str. 4
 5310 Mondsee, Austria

**BWT water + more
 Deutschland GmbH:**
 info@water-and-more.de
 Tel.: +49 611 58019-0

BWT Austria GmbH:
 kundenservice.wm@bwt-group.com
 Tel.: +43 6232 5011-1164

BWT AQUA AG Schweiz:
 info@bwt-aqua.ch
 Tel.: +4161 7558899